



**ASHOK LEYLAND**

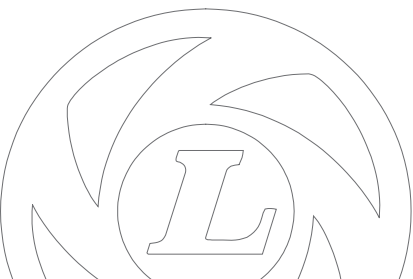
# SUPER STALLION 8x8 High Mobility Vehicle

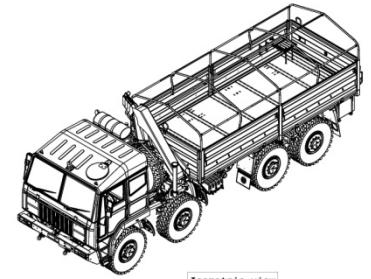
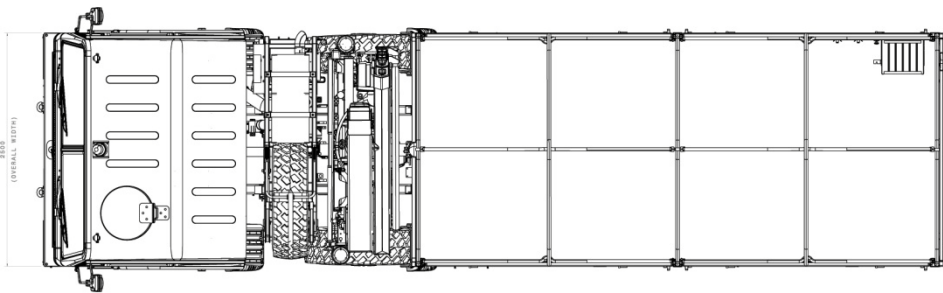
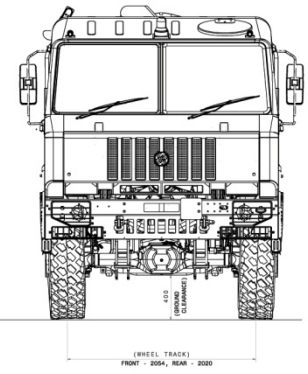
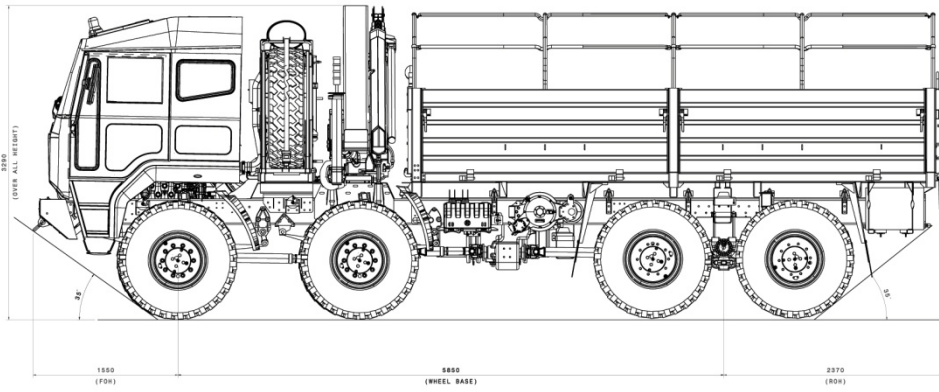
OPTIONS	
Crane	7.4 Tm
Winch	12 T
Side mounted	

DIMENSIONS (mm)	
Wheel Base	5850
Front Overhang	1550
Rear Overhang	2370
Overall Length	9770
Overall Height	3290
Overall Width	2500
Front Track	2054
Rear Track	2020
Ground Clearance	400
Angle of Approach/Departure	35°/ 35°

WEIGHTS (kg)	Cross Country	Highway
Unladen	14300	14300
Laden	24300	26300
Payload(incl weight of MHC)	10000	12000
Weight of MHC	1500	

PERFORMANCE	
Max. Powered Speed	90 kmph
Max. Gradeability	30°
Min. Turning Circle Diameter	27 m





#### ENGINE

Type	Neptune 360
Power	360 Hp (265 kW) at 2200 rpm
Torque	1400 Nm at 1300 – 1500 rpm
Fuel Tank Capacity	350 liters

#### CLUTCH

Type	Diaphragm pull type
Facing Dia	430 mm

#### GEAR BOX

Type	8S151
Number of speeds	8F + 1R
Ratios	13.80 / 9.49 / 6.53 / 4.57 / 3.02 / 2.08 / 1.43 / 1.00 ; R 12.92

#### REAR AXLE

Type	Hub reduction axles with provision for inter-axle lock and inter wheel differential lock & CTIS.
Capacity	19000 kg
Ratio	5.647:1

#### TRANSFER CASE

Type	VG1600 / 396
Ratios	1:0.89 ; 1:1.536

#### FRONT AXLE

Type	Hub reduction axle with differential lock & CTIS
Capacity	8000 kg
Ratio	5.647:1

#### FRAME

Section (DxWxT)	275 x 90 x 8 mm
-----------------	-----------------

#### SUSPENSION

Type	Parabolic at front Bogie suspension at rear
Shock Absorbers	Only at front axles

#### STEERING

Type	Power steering with cylinder assistance
------	---

#### BRAKES

Type	Full air – dual line
Parking Brake	Graduated hand control valve operated, parking brake

#### ELECTRICAL SYSTEM

System Voltage	24 V
Batteries	150 AH
Alternator Capacity	100 A

#### WHEELS & TYRES

Nos.	8 nos. ; Spare : 1 no.
Tyre Size	14.00 R 20
Rim Size	10.00 x 20

#### CAB

Air conditioned Cabin. Observation hatch over co driver seat. Bucket type seats. Brackets for placing weapons of driver and co-driver provided. Two berth type seats behind driver and co-driver. 2 nos. fire extinguisher - 2 kg each are provided in Load body and Cab.

*Note: Ashok Leyland Ltd. has a policy of continual product improvement. The specifications shown here are indicative and are subject to change without prior notice.*