



ASHOK LEYLAND
D E F E N C E

STALLION

6x6

APPLICATIONS

Troop Carrier with Armoured Cab/Non-Armoured Cab	
Troop Carrier with Crane	Fuel Bowser
ISO Container/Twist Locks	Water Bowser
Recovery Vehicle	Fire Fighting Trucks
Tipper	MPV Kits

OPTIONS

Drive	LHD/RHD
Transmission	MT/AT
Armoured Cabin with Side Protected Load Body	Against AK47, Kalashnikov – 7.62 x 39 from 10 m at 90°

DIMENSIONS (mm)

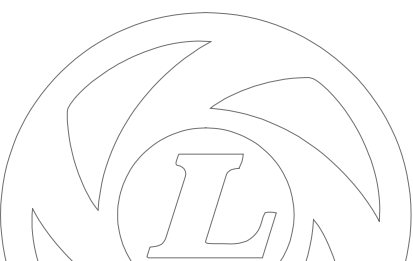
Wheel Base	4267
Front Overhang	1535
Rear Overhang	2252
Overall Length	8054
Overall Height	3000
Overall Width	2500
Front Track	2030
Rear Track	2050
Ground Clearance at Front and Rear	330
Angle of Approach/Departure	30°/30°

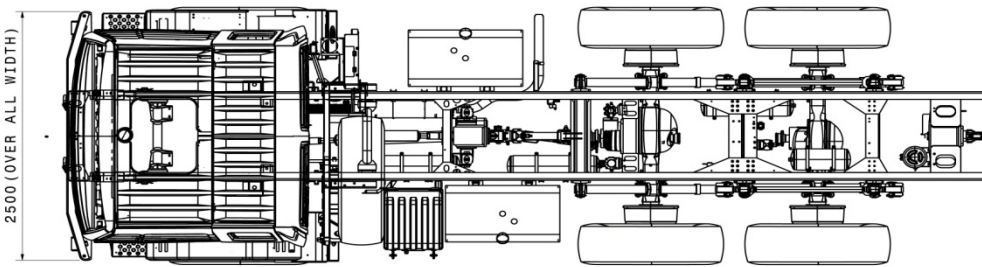
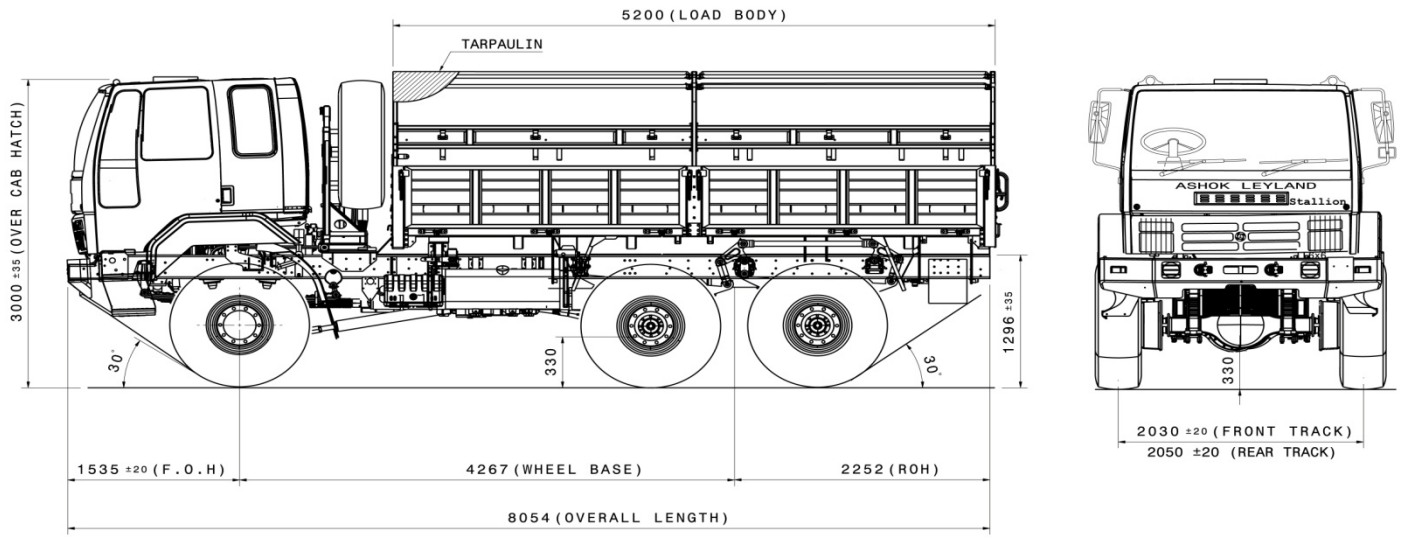
WEIGHTS (kg)

Unladen	9515	9515
Laden	12015	14515
Payload	2500	5000

PERFORMANCE

Max. Powered Speed	97 kmph
Max. Gradeability	25°
Min. Turning Circle Diameter	21 m





LOAD BODY NOT SHOWN IN PLAN & FRT VIEW FOR CLARITY

ENGINE

Type	HA57L165 (EURO III)
Power	165 kW at 2500 rpm
Torque	800 Nm at 1400-1900 rpm
Fuel Tank Capacity	250 litres

CLUTCH

Type	Single Plate Dry Type Diaphragm
Facing Dia	380 mm
Actuation	Booster Assisted

GEAR BOX

Type	6 Speed Synchromesh Overdrive
Number of speeds	6F+1R

REAR AXLE

Type	Fully Floating Single Speed, Tandem
Differential	Hypoid
Capacity	19000 kg
Ratio	6.833:1

TRANSFER CASE

Type	Twin Speed
Ratio	1:1, 2:1

FRONT AXLE

Type	Fully Floating Single Speed, Driven Axle - Steerable
Differential	Hypoid
Capacity	7500 kg
Ratio	6.833:1

FRAME

Section (DxWxT)	228.6 x 76.2 x 6.35 mm
-----------------	------------------------

SUSPENSION

Type	Semi-Elliptic Multi-Leaf Spring
Shock Absorbers	Double Acting Telescopic - Front

STEERING

Type	Integral Power Steering
------	-------------------------

BRAKES

Type	Full Air - Dual Line Brake System
Parking Brake	Spring Brake Actuated on Rear Axle

ELECTRICAL SYSTEM

System voltage	24 V
Batteries	130 AH
Alternator capacity	100 A

WHEELS & TYRES

Nos.	2 nos. Front; 4 nos. Rear; 1 no. Spare
Tyre Size	14.00 x 20 18 PR
Rim Size	10.00 x 20 - 128.6 mm offset

CAB

Air Conditioned Sleeper Cabin

Note: Ashok Leyland Ltd. has a policy of continual product improvement. The specifications shown here are indicative and are subject to change without prior notice.